



Innovative Technology
15470 Flight Path Dr,
Brooksville, FL 34604
1-800-647-8877

Submittal Spec Sheet

Innovative Technology® Models ITHST and ITHSTPR Critical Load Series Transient Voltage Surge Suppressors

Innovative Technology Models ITHST and ITHSTPR Critical Load Series Transient Voltage Surge Suppressors



ITHST General Features

- Dual-stage series-connected SPD, with tracking filter and robust surge suppression.
- Filters EMI/RFI noise.
- Suitable for use in ANSI/IEEE Category B and C locations.
- Available for 120 and 240 volts, 3 to 20 ampere loads.
- Five-year replacement warranty.
- Surface mount or DIN rail mount.
- Standard Form C (dry) relay contacts.
- Manufacturer qualifications: ISO® 9001 and ISO 12000 certified manufacturer.

ITHSTPR General Features

- Hospital-grade plugs and receptacles.
- Telecom and ac load protection.
- Compact enclosure.
- Hardwire connection not required.
- Integrated system overload protection.
- Protection status indicator.
- For 120 or 240 volt loads up to 15 amperes.
- Five-year replacement warranty.

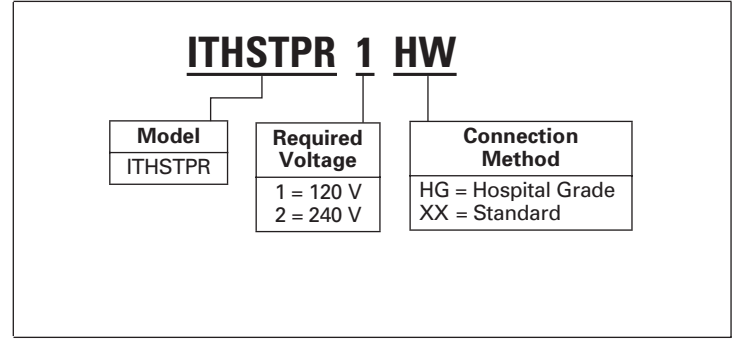
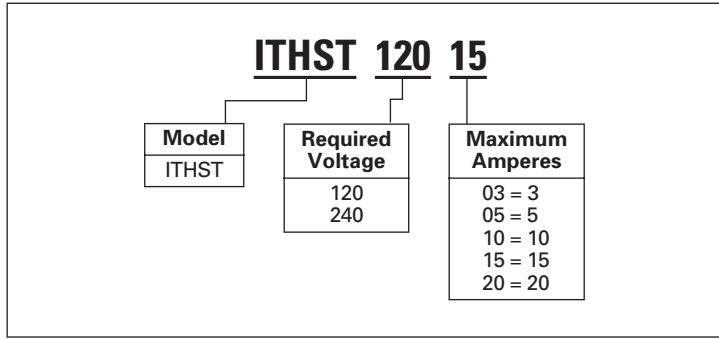
Applications

- Programmable Logic Controls (PLCs).
- Medical equipment.
- Robotic equipment.
- ATMs (Automated Teller Machines).
- Computers.
- Control and automation devices.

Since 1980, Eaton's Innovative Technology has provided Surge Protective Devices (SPDs) to power quality equipment users around the world. Eaton manufactures a wide variety of Innovative Technology SPDs to fit any application.

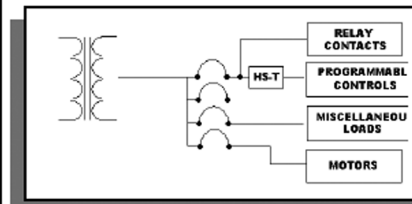
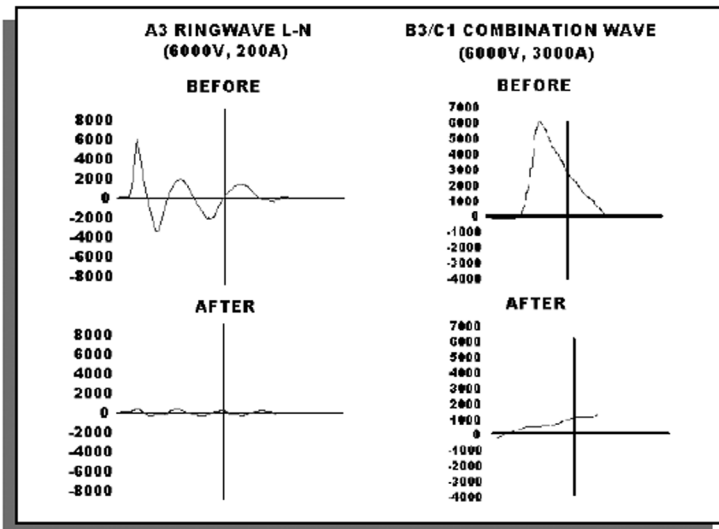
Whatever your transient protection need may be, Eaton's Innovative Technology business has a Surge Protective Device to fill it!

Model ITHST and ITHSTPR Catalog Numbering Systems



Product Specifications

Application	ITHST Hardwired	ITHSTPR Coded Pigtail/Receptacle
Input Voltage Amperes Input Power Frequency Protection Modes MCOV (120/240 V)	120, 220, 240 Volts ac Single-Phase 3, 5, 10, 15 or 20 Amperes 50/60 Hz L-N, L-G, N-G 150/320 V	120, 220, 240 Volts ac Single-Phase 15 Amperes 50/60 Hz L-N, L-G, N-G 150/275 V
IEEE Category A3 Ring Wave Let-Through Voltage IEEE Category B3 Ring Wave Let-Through Voltage IEEE Category B3/C1 Combination Wave Let-Through Voltage	6 V 9.6 V 70 V	6 V 9.6 V 70 V
Noise Attenuation Normal Mode Common Mode Filter Bandwidth	75 dB at 100 kHz 50 dB at 5 MHz 10 kHz to 100 MHz	75 dB at 100 kHz 50 dB at 5 MHz 10 kHz to 100 MHz
Total Peak Surge Current Capacity Operating Temperature Response Time	45.5 kA Per Phase -40° to +122°F (-40° to +50°C) Less than 1 nanosecond	39 kA Per Phase -40° to +122°F (-40° to +50°C) Less than 1 nanosecond
Other Features Agency Approvals Warranty	Form C (Dry) Relay Contacts UL® 1449, UL 1283, CSA® 5 Years	Hospital Grade Filter UL 1449, UL 1283, UL 1363, UL 497 5 Years



INSTALLATION DIAGRAM
(Example)

Innovative Technology is a registered service mark of Eaton Corporation.
UL is a federally registered trademark of Underwriters Laboratories Inc.
ISO is the registered trademark and sole property of the International Organization for Standardization. CSA is a registered trademark of the Canadian Standards Association.

