

OEM Models



OEM Model

Introduction

Since 1980, Eaton's Innovative Technology has provided Surge Protective Devices (SPDs) to power quality equipment users around the world. Whatever your electrical surge protection need may be, Eaton's Innovative Technology has a Surge Protective Device to fill it!

General Features

- Description — Series configured, terminal strip or hardwire connected, Surge Protective Devices
- Application — 4 – 20 mA current loops, signal lines and low speed data lines feeding transducers, flow meters, leak detectors and similar field sensor applications
- Warranty — 5-Year Free Replacement
- Manufacturer Qualifications — ISO® 9001:1994 Quality System Certification BSI FM 30833

Mechanical and Electrical Features

- Enclosure — ABS Plastic, UL® 94V-0
- Connection
 - Lines: wire clamping box terminal strips
 - Ground: lug with wire clamping box terminal
- Weight — ≈1 lb (0.45 kg)
- Operating Temperature — -40°F (-40°C) to +140°F (+60°C)
- Circuit Design — Encapsulated, series configuration, multistage

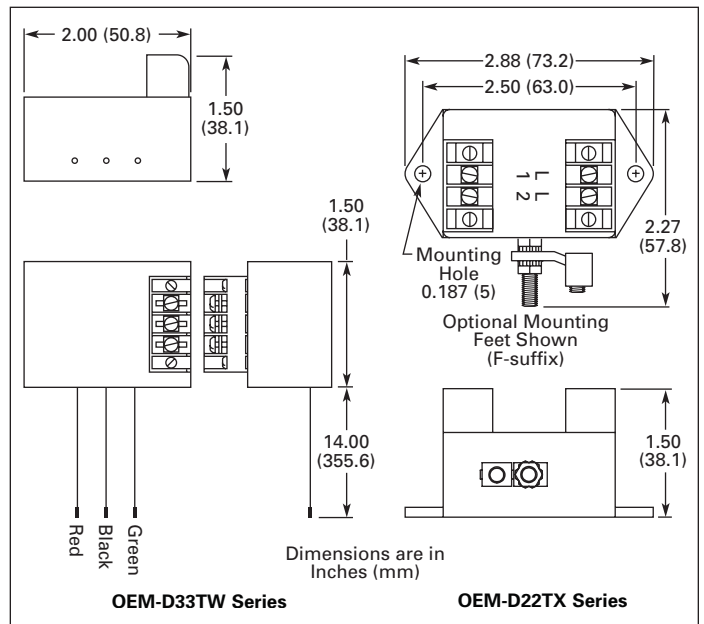
- Protection Modes — L-L (normal mode), L-G (common mode)
- Input Power Frequency — dc – 2 MHz
- Response Time — ≤1 nanosecond
- EMI/RFI Attenuation — Up to 46 dB normal mode, up to 51 dB common mode
- Peak Surge Current — 20 kA per mode
- Maximum Continuous Operating Current — 430 mA
- Data Rate — Up to 200 kbps
- Capacitance — L-L, L-G 2.5 µf
- Series Resistance — 10 Ohms/line

Performance Data

ANSI/IEEE C62.41-1991 Measured Limiting Voltage

Model	Test Mode ac/dc	MCOV (Vpk)*	B3/C1 Impulse	
			Vave 6 kV, 3 kA	IEC 801-5A Impulse Wave 10 x 700 2 kV
OEM-D22TX-5D-LF	L-L	7.5	23	8
OEM-D22TX-24D-LF	L-L	30	40	40
OEM-D22TX-48D-LF	L-L	55	70	62
OEM-D33TW-24D	L-G	30	40	34
	L-L	30	40	40

* All lines must be positive with respect to ground.



Conduit-Mounted Models



Conduit-Mounted Model

Introduction

Since 1980, Eaton's Innovative Technology has provided Surge Protective Devices (SPDs) to power quality equipment users around the world. Whatever your electrical surge protection need may be, Eaton's Innovative Technology has a Surge Protective Device to fill it!

General Features

- Description — Conduit mounted, Surge Protective Devices in parallel or in-line configurations, packaged in 316 stainless steel
- Application — 4 – 20 mA current loops, signal lines and low speed data lines feeding transducers, flow meters, water level monitors, control circuits and a variety of similar field sensor, OEM and signal applications
- Warranty — 5-Year Free Replacement
- Manufacturer Qualifications — ISO 9001:1994 Quality System Certification BSI FM 30833

Mechanical and Electrical Features

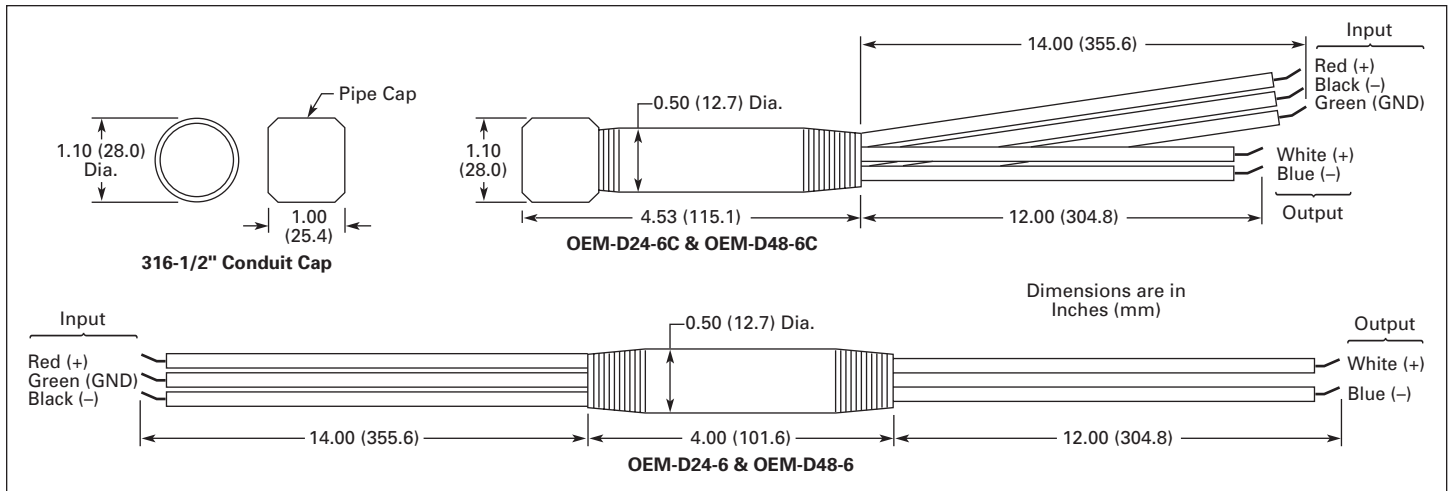
- Enclosure — Type 316L 1/2" (12.7 mm) diameter stainless steel conduit pipe and cap models with NPT threads
- Connection — #18 AWG (0.8 mm²) tinned copper wire
- Weight — ≈1 lb (0.45 kg)
- Operating Temperature — -40°F (-40°C) to +140°F (+60°C)
- Circuit Design — multi-stage, encapsulated, series configuration
- Protection Modes — L-L (normal mode), L-G (common mode)
- Input Power Frequency — dc – 2 MHz
- Data Rate — Up to 200 kbps
- Response Time — ≤1 nanosecond per conductor
- Maximum Continuous Operating Current — 300 mA
- Peak Surge Current — 10 kA per mode
- Series Resistance — 20 Ohms/line

Performance Data

ANSI/IEEE C62.41-1991 Measured Limiting Voltage

Model	Test Mode ac/dc	MCOV (VPK)*	B3/C1 Impulse Wave 6 kV, 3 kA
OEM-D24-6, 6C	L-N	30	50
	L-G	30	60
OEM-D48-6, 6C	L-N	70	70
	L-G	70	70

* Measured Limiting (Let-Through) Voltage Test Environment: Static, positive polarity. All voltages are peak (±10%).



Innovative Technology is a registered service mark of Eaton Corporation. UL and cUL are federally registered trademarks of Underwriters Laboratories Inc. ISO is the registered trademark and sole property of the International Organization for Standardization.

Eaton Corporation
Innovative Technology TVSS Products
 1000 Cherrington Parkway
 Moon Township, PA 15108-4312
 USA
 Phone: 1-800-525-2000
 Web: www.itvss.com

**COMPONENT
LEVEL FUSING**

five
year
free
**REPLACEMENT
Warranty**

ISO 9001

EATON

©2004–2007 Eaton Corporation
 All Rights Reserved
 Printed in USA
 Form No. PS01006044E / Z2990
 April 2007