



XT-40 Model

Introduction

Since 1980, Eaton's Innovative Technology has provided Surge Protective Devices (SPDs) to power quality equipment users around the world. Whatever your electrical surge protection need may be, Eaton's Innovative Technology has a Surge Protective Device to fill it!

General Features

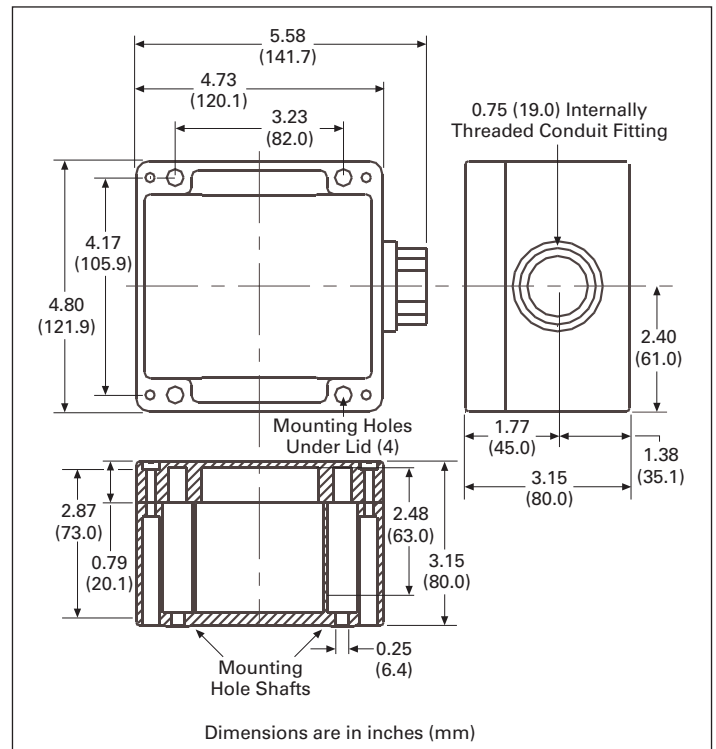
- Description — Parallel configured, hardwire connected, Transient Voltage Surge Suppression device providing 40 kA per phase peak surge current
- Application — Location Categories A and B – Medium and low exposure level ac power distribution panels, branch panels and/or individual equipment disconnects feeding all types of loads
- Warranty — Ten-Year Free Replacement
- Unit Listings — Recognized components under UL®1449 Second Edition and cUL®, UL 1283 filter
- Manufacturer Qualifications — ISO® 9001:1994 Quality System Certification BSI FM 30833

Mechanical and Electrical Features

- Enclosure — Aluminum, NEMA® 4 (IP66) weatherproof enclosure (meets and exceeds NEMA 12, 13 and 3R) mounted with internally threaded conduit fitting &/or multipoint mounting feet (2 or 4 feet optional), flush-mount faceplate available separately
- Connection — #10 stranded wire
- Weight — ≈ 3 lbs (1.3 kg)
- Operating Temperature — -40°F (-40°C) to +140°F (+60°C)
- Circuit Design — Bi-directional, parallel configured, Threshold Response circuitry utilizing advanced component encapsulation technology
- Input Power Frequency — 50/420 Hz (60 Hz typical)
- Response Time — ≤1 nanosecond
- EMI/RFI Attenuation — Up to 41 dB normal mode, up to 40 dB common mode
- Protection — All mode: L-N, L-L (normal mode), N-G, L-G (common mode)
- Circuit Diagnostics — LED indicators, 1 per phase, normally on
- Circuit Interrupt — Reference installation instructions for details

Optional Features and Equipment

- Flush-Mount Plate (ZPLATE-10)



Performance Data

ANSI/IEEE C62.41-1991 Measured Limiting Voltage*

UL SVR

XT40	System Config	Nominal System Voltage	All Models A3 Ring Wave 6 kV, 200 A 90° Phase Angle				All Models B3/C1 Impulse 6 kV, 3 kA 90° Phase Angle		All Models C3 Impulse 20 kV, 10 kA 90° Phase Angle		UL 1449-2 Suppressed Voltage Ratings	
			L-N	L-L	L-N	L-L	L-N	L-L	L-N	L-L	L-N	L-L
			L-G	N-G	L-G	N-G	L-G	N-G	L-G	N-G	L-G	N-G
			HiL-N	HiL-G	HiL-N	HiL-G	HiL-N	HiL-G	HiL-N	HiL-G		
1P101	Single-Phase 2w + grnd	100, 110, 120, 127	440 470	840 —	530 580	950 —	1000 1040	1490 —	400 400	400 —		
1P201	Single-Phase 2w + grnd	200, 208, 220, 230, 240, 277	800 770	1600 —	990 990	1870 —	1470 1540	2490 —	800 800	800 —		
1P400	Single-Phase 2w + grnd	480	1500 1500	1500 —	1700 1700	1700 —	2270 2270	2270 —	1500 1500	1500 —		
1S101	Split-Phase 3w + grnd	100/200, 110/220 120/240, 127/254	440 470	840 830	530 580	950 940	1000 1040	1490 1490	400 400	400 800		
3Y101	3-Phase Y/Star 4w + grnd	100/175, 110/190 120/208, 127/220	440 470	840 830	530 580	950 940	1000 1040	1490 1490	400 400	400 800		
3Y201	3-Phase Y/Star 4w + grnd	220/380, 230/400 240/415, 277/480	800 770	1600 1520	990 990	1870 1870	1470 1540	2490 2530	800 800	800 1500		
3Y300	3-Phase Y/Star 4w + grnd	305/525, 347/600	— —	— —	1227 1260	2350 2323	1813 1900	3130 3033	1200 1200	1200 1500		
3D101	3-Phase Hi Leg Δ 4w + grnd	120/240	450 450 880	850 850 1280	540 540 1000	950 980 1420	1230 1050 1470	1480 1450 1960	400 400 800	400 1500 800		
NN201	3-Phase Δ 3w + grnd	200, 208, 220, 230, 240	— —	900 1700	— —	1010 1880	— —	1550 2520	— 800	— 800		
NN400	3-Phase Δ 3w + grnd	380, 400, 415 440, 480	— —	1497 2880	— —	1697 3170	— —	2263 4037	— 1500	— 1500		
NN501	3-Phase Δ 3w + grnd	525, 600	— —	1740 3263	— —	2177 4037	— —	2860 5203	— 2000	— 2000		

* Test environment: Positive polarity. Voltages are peak(±10%), Time base = 1 ms. All tests performed with 6" (252.4 mm) lead length, simulating actual installation.

Innovative Technology is a registered service mark of Eaton Corporation. NEMA is the registered trademark and service mark of the National Electrical Manufacturers Association. UL and cUL are federally registered trademarks of Underwriters Laboratories Inc. Active Tracking Network (ATN) is a registered trademark of Eaton Corporation. ISO is the registered trademark and sole property of the International Organization for Standardization.

Eaton Corporation
Innovative Technology TVSS Products
 1000 Cherrington Parkway
 Moon Township, PA 15108-4312
 USA
 Phone: 1-800-525-2000
 Web: www.itvss.com



©2004–2007 Eaton Corporation
 All Rights Reserved
 Printed in USA
 Form No. PS01006021E / Z2990
 May 2007