



Submittal Spec Sheet
Eaton® Innovative Technology®
***I.T. Protector™* Models**
Surge Protective Devices



I.T. Protector Models

Your local Innovative Technology authorized distributor is factory trained to assist you in developing an *I.T. System Shield* protection plan to best protect your facility.

The *I.T. Protector* comes with a 20-Year Free Replacement Warranty.

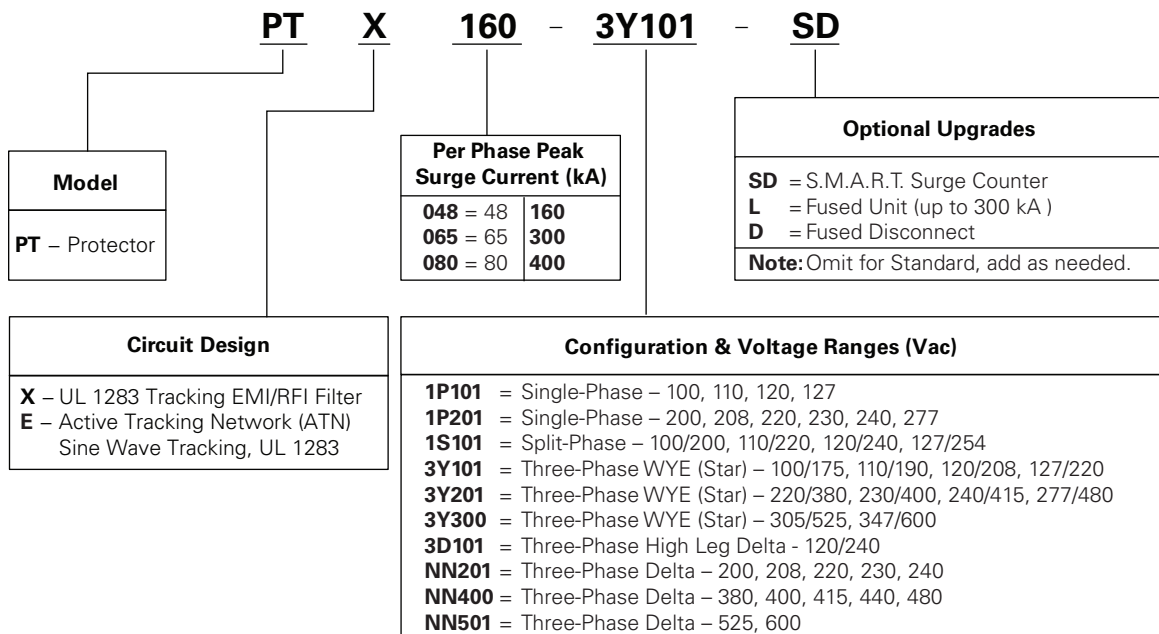
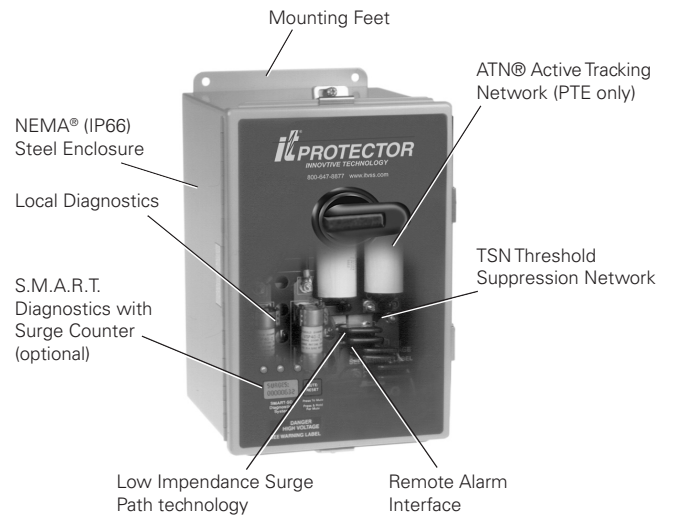
Since 1980, ISO® 9001 certified Innovative Technology has been providing field-proven power quality solutions for industrial, commercial and defense sectors worldwide. Surge Protective Devices (SPDs) are Innovative Technology's specialty. Electrical engineers around the world recognize us as a leader in the SPD industry. All PTX and PTE products are UL® 1449 Second Edition listed and UL® 1283 complementary listed. You can be assured that installing Innovative Technology SPD products will provide you the best available surge protection.

Introduction

Since 1980, Eaton's Innovative Technology has provided Surge Protective Devices (SPDs) to power quality equipment users around the world. Whatever your electrical surge protection need may be, Eaton's Innovative Technology has a Surge Protective Device to fill it!

General Features

According to IEEE Std 1100-1999 (Emerald Book) under Recommended Design and Installation Practices, a comprehensive protection approach is best for facility protection. Several factors influence the best SPD selection for most applications.



The I.T. Protector® Features and Benefits Statement

Standard Features	Benefits
Advanced Surge Path Technology ... High Fault Current, Low Impedance, High Frequency Design	Confidence — Outstanding and balanced suppression performance and long-term durability due to its RF engineered printed circuit board design
All Mode Protection	Peace of mind in knowing that all possible surge entry paths are covered
Dry (volt-free) Relay Contacts and LED Status Diagnostics	Awareness — Ability to remotely monitor suppressor's status using the relay contacts; long lasting LEDs give visual feedback of suppressor status
Threshold Suppression Network (TSN)	Knowing you have the best performing product for electrical transient suppression
Large Diameter Varistors	Long life under high stress transient environments using the industry's time tested and proven component
20-Year Warranty	Assurance in a company in business for over 20 years in providing the best in surge suppression
Encapsulation Technology	Assures that the suppressor will maintain its performance in the most adverse environmental conditions for many years, as shown in the product's warranty
Tracking EMI/RFI Filter	All products contain UL 1283 listed EMI/RFI tracking filter
NEMA 4 (IP66) — Powder Coated Steel Enclosure	Strength — you will never have to worry about the unit's ability to withstand the worst environmental conditions
Optional Features	Benefits
Sine Wave Tracking — ATN® Innovative Technology's exclusive Active Tracking Network	Knowing you have the best in transient protection against the continuous barrage of everyday ringing transients, this filter is also UL 1283 listed as an EMI/RFI filter
S.M.A.R.T. — Suppression Monitoring and Recording Technology (Surge Counter, Phase Loss Monitor & Audible Alarm)	Satisfies the most discriminating suppression user. Status information provides surge counting and the added benefit of phase loss notification using the dry relay contacts
NEMA 4X — 316L Stainless Steel	Unparalleled corrosive protection and environmental strength for the most adverse installation conditions. We use a more costly 316L stainless as opposed to others that use a less resilient and cheaper 304 stainless steel
Integral Disconnect Switch & Fusing	Ease of Installation — includes current limiting fuses and a high surge current switch
Integral Current Limiting Fuses	Ease of Installation — includes the appropriate current limiting fuses required for a typical installation
Flexibility & Customization	Certainty that Innovative Technology can design any special product for your unique application

Innovative Technology is a registered service mark of Eaton Corporation.
 ISO is the registered trademark and sole property of the International Organization for Standardization.
 UL and cUL are federally registered trademarks of Underwriters Laboratories Inc.
 NEMA is the registered trademark and service mark of the national electrical manufacturers Association.
 Active Tracking Network (ATN) is a registered trademark of Eaton Corporation.

Eaton Corporation
Innovative Technology TVSS Products
 1000 Cherrington Parkway
 Moon Township, PA 15108-4312
 USA
 Phone: 1-800-525-2000
 Web: www.itvss.com



©2004–2007 Eaton Corporation
 All Rights Reserved
 Printed in USA
 Form No. PS01006004E / Z2990
 March 2007